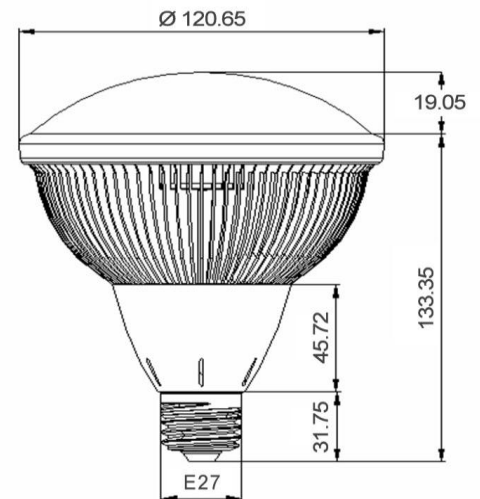


Adjustable 120 degree CREE PAR38 Super Bright LED 100-120 Watt Incandescent Bulb Replacement

This new 120 degree adjustable LED PAR38 offers a classic look and a smooth dimming. This 11 watt LED Bulb is a direct replacement for a 100-120W conventional flood lamp. Amazingly it produces up to 710 lumens. The quality of light from the PAR30 is unmatched. There is no glare, just warm beautiful light. It uses 120-volt AC power and a state of the art aluminum sanded fin technology for maximum heat dissipation. This LED PAR 38 is available in warm white, natural white, day and cool white temperatures.

- **Bulb Shape:** PAR38
- **Base Type:** E27 Standard Screw-In
- **Replacement For:** 100-120 Watt Incandescent Bulb
- **Color Range:** Warm, Natural, Day and Cool White
- **Light Source:** 9 CREE High Power LEDs
- **Housing:** Advance Heat Management Technology
- **Operating Temperature:** -4F to 113F (-20C to 45C)
- **Starting Temperature:** -4F to 131F(-20C to 55C)
- **Universal Power Voltages:** AC 120V (85-265 available)
- **Beam Angle:** 120 Degrees (60 degree also available)
- **LED Source Life:** 40,000 hours
- **CRI:** 71(Warm White): 81 (Day White)
- **Dimensions:** 4.8in x H 5.75in (122mm x 146.05mm)
- **Box Dimensions:** 6in x 7in x 7in (152mm x 177.8mm x 177.8mm)
- **Weight w/ Box:** 23.81oz (675g)



Photometrics			
Product Number	Luminosity	Color Temperature	Beam Angle
PAR38-E27-11W9-WW-120-DIM	~553 Lumens	Warm White (2500-3500°)	120 Degrees
PAR38-E27-11W9-NW-120-DIM	~608 Lumens	Natural White (3500-4500°)	120 Degrees
PAR38-E27-11W9-DW-120-DIM	~662 Lumens	Day White (4500-5500°)	120 Degrees
PAR38-E27-11W9-CW-120-DIM	~710 Lumens	Cool White (5500-7000°)	120 Degrees