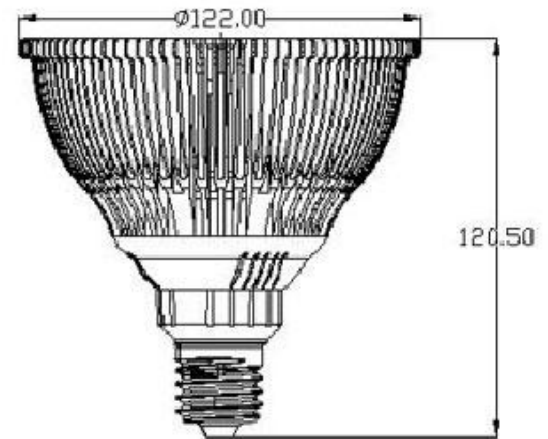


Adjustable CREE PAR38 Super Bright LED – 11 WATTS Replaces 100-120 Watt Incandescent Bulb

This new adjustable LED PAR38 lamp uses only 11 watts and is a direct replacement for a 100-120W conventional flood lamp. Amazingly it produces up to 717 lumens. It uses 120-volt AC power and a state of the art aluminum sanded fin technology for maximum heat dissipation. This LED PAR38 is available in warm white, natural white, day white and cool white temperatures..

- **Bulb Shape:** PAR38
- **Base Type:** E27 Standard Screw-In
- **Replacement For:** 100-120 watt Incandescent 100R38
- **Color Range:** Warm, Natural, Day, Cool White
- **Light Source:** 9 CREE High Power LEDs
- **Housing:** Advance Heat Management Technology
- **Operating Temperature:** -4F to 122F (-20C to 45C)
- **Starting Temperature:** -4F to 131F (-20C to 55C)
- **Universal Power Voltages:** AC 120V (85-265 Available)
- **Beam Angle:** 60 Degrees (120 Degree Also Available)
- **LED Source Life:** 40,000 hours
- **CRI:** 71(Warm White) 81(Day White)
- **Dimensions:** 4.8in x H 4.7in (122mm x 120.5mm)
- **Box Dimensions:** 5.2in x 5.2in x 5.75in (132.08mm x 132.08mm x 146.05mm)
- **Weight w/Box:** 21oz (575g)



Photometrics			
Product Number	Luminosity	Color Temperature	Beam Angle
PAR38-E27-11W9-WW-60-DIM	~553 Lumens	Warm White (2500-3500°)	60 Degrees
PAR38-E27-11W9-NW-60-DIM	~608 Lumens	Natural White (3500-4500°)	60 Degrees
PAR38-E27-11W9-DW-60-DIM	~662 Lumens	Day White (4500-5500°)	60 Degrees
PAR38-E27-11W9-CW-60-DIM	~717 Lumens	Cool White (5500-7000°)	60 Degrees