

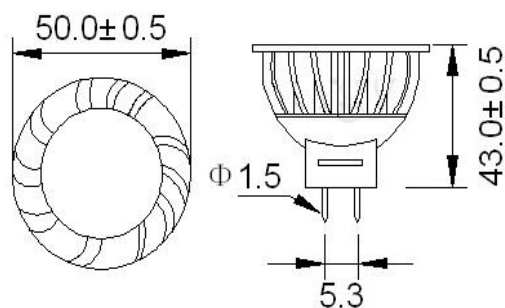
EagleLight 3-Watt High Brightness Cree LED MR16

This new 3watt LED Bulb is a direct replacement for a 35W MR16 halogen bulb and amazingly produces 272 lumens. Simply choose the appropriate beam angle for your specific lighting application. It is a great LED for track light replacements. LED bulbs last much longer than halogen bulbs and burn much, much cooler. This MR16 has a stylish heat sink metal enclosure that keeps the bulb from over heating.

- **Bulb Shape:** MR16
- **Base Type:** GU5.3
- **Replacement For:** 35 watt Halogen Bulb
- **Color Range:** Warm , Natural and Daylight White
- **Light Source:** 3x1w CREE LED
- **Housing:** Advance Heat Management Technology
- **Operating Temperature:** -4F to 122F (-20C to 45C)
- **Starting Temperature:** -4F to 131F (-20C to 55C)
- **Universal Power Voltages:** 12V AC/DC
- **Beam Angle:** 30 or 60 Degrees
- **LED Source Life:** 40,000 hours
- **CRI:** 79 (Warm White) 81 (Natural White) 83 (Day White)
- **Dimensions:** 1.75in x H 2.25in (49mm x H 58mm)
- **Box Dimensions:** 4in x 4in x 4in (101.6mm x 101.6mm x 101.6mm)
- **Weight w/ Box:** 6oz (170.10g)



Unit : mm



Photometrics			
Product Number	Luminosity	Color Temperature	Beam Angle
MR16-GU53W3-WW-CREE-DIM-30	~150 Lumens	Warm White (2600-3500°)	30 Degrees
MR16-GU53W3-NW-CREE-DIM-30	~180 Lumens	Natural White (3500-4500°)	30 Degrees
MR16-GU53W3-DW-CREE-DIM-30	~205 Lumens	Day White (4500-6000°)	30 Degrees
MR16-GU53W3-WW-CREE-DIM-60	~150 Lumens	Warm White (2600-3500°)	60 Degrees
MR16-GU53W3-NW-CREE-DIM-60	~180 Lumens	Natural White (3500-4500°)	60 Degrees
MR16-GU53W3-DW-CREE-DIM-60	~205 Lumens	Day White (4500-6000°)	60 Degrees